

A new success for the FAMAT horizontal « Thief » sampling valve...

FAMAT S.A., the worldwide leader of the sampling valve is proud to announce that its horizontal “Thief” sampling valve solution has been selected by BASF to equip a new production unit in Germany...

It's after a long phase of technical tests that BASF has finally decided to go for the FAMAT horizontal “thief” solution, thanks to its unique and patented design (Expandable Piston Technology), security of operation and representativity of the samples.

P. Switalski, Sales Manager in FAMAT mentioned “by selecting our solution, BASF proves, once more, the excellent quality and performances offered by the FAMAT horizontal “thief” sampling valves... It's a great achievement for the company ...”.

Please read below the description of the proposed solution ...

St Sulpice - July 17th 2013

For more information:

www.famat.com

info(at)famat.com



FAMAT
ENGINEERED VALVES



The Chemical Company

HORIZONTAL "THIEF" SAMPLING VALVE

NEW PRODUCT FOR POWDER SAMPLING



FEATURES :

- DN25 / PN10 - DN 50 / PN 10
- -20°C TO 180°C
- ALL CONTACT PARTS ARE 1.4435 (316L), HASTELLOY C22, PTFE OR FFKM ELASTOMER
- TC OR ASME / DIN FLANGED CONNECTIONS
- FDA / ATEX APPROVED

OPTIONS :

- AUTOMATIC VERSION
- SPECIAL ALLOYS
- SIP & CIP

For any special sampling requirements, please contact us

Tel. +41 21 695 26 26 • Fax +41 21 695 26 27
info@famat.com • www.famat.com

E.P.TECH CONCEPT.

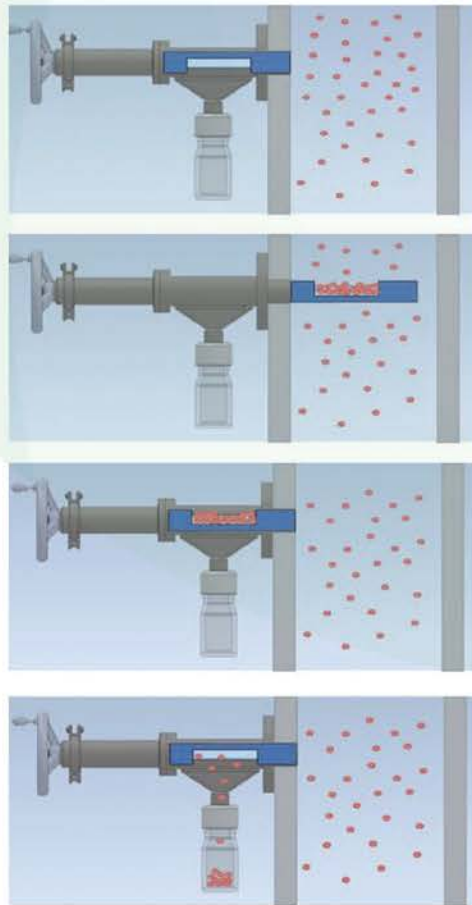
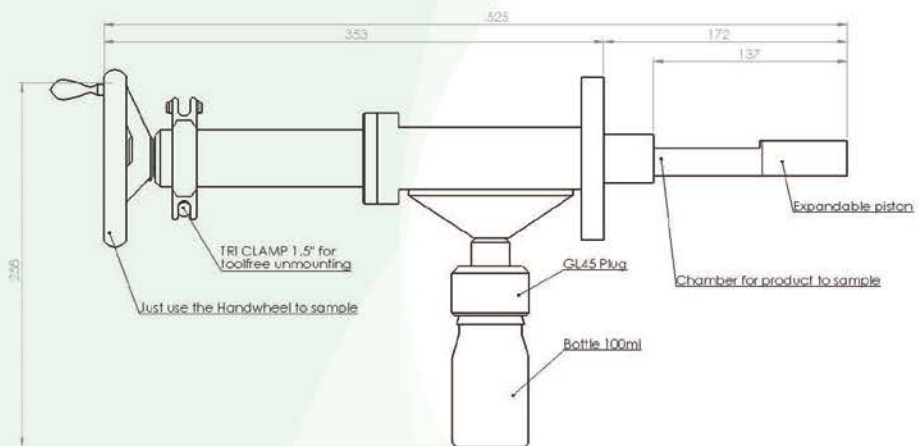
- Intrusive sampler without dead space
- Applicable for 3" vertical pipe (more on request)
- Adjustable piston length
- Piston tightness without gasket
- Easy clean tool free

BASED ON THE FAMAT
PATENTED EXPANDABLE
PISTON TECHNOLOGY.



FAMAT
ENGINEERED VALVES

 SWISS QUALITY
ISO 9001: 2008



FAMAT SA
 Ch. des Jordils 40
 1025 St-Sulpice
 Switzerland

Tel. +41 21 695 26 26
 Fax +41 21 695 26 27
 www.famat.com
 info@famat.com



FAMAT
 ENGINEERED VALVES